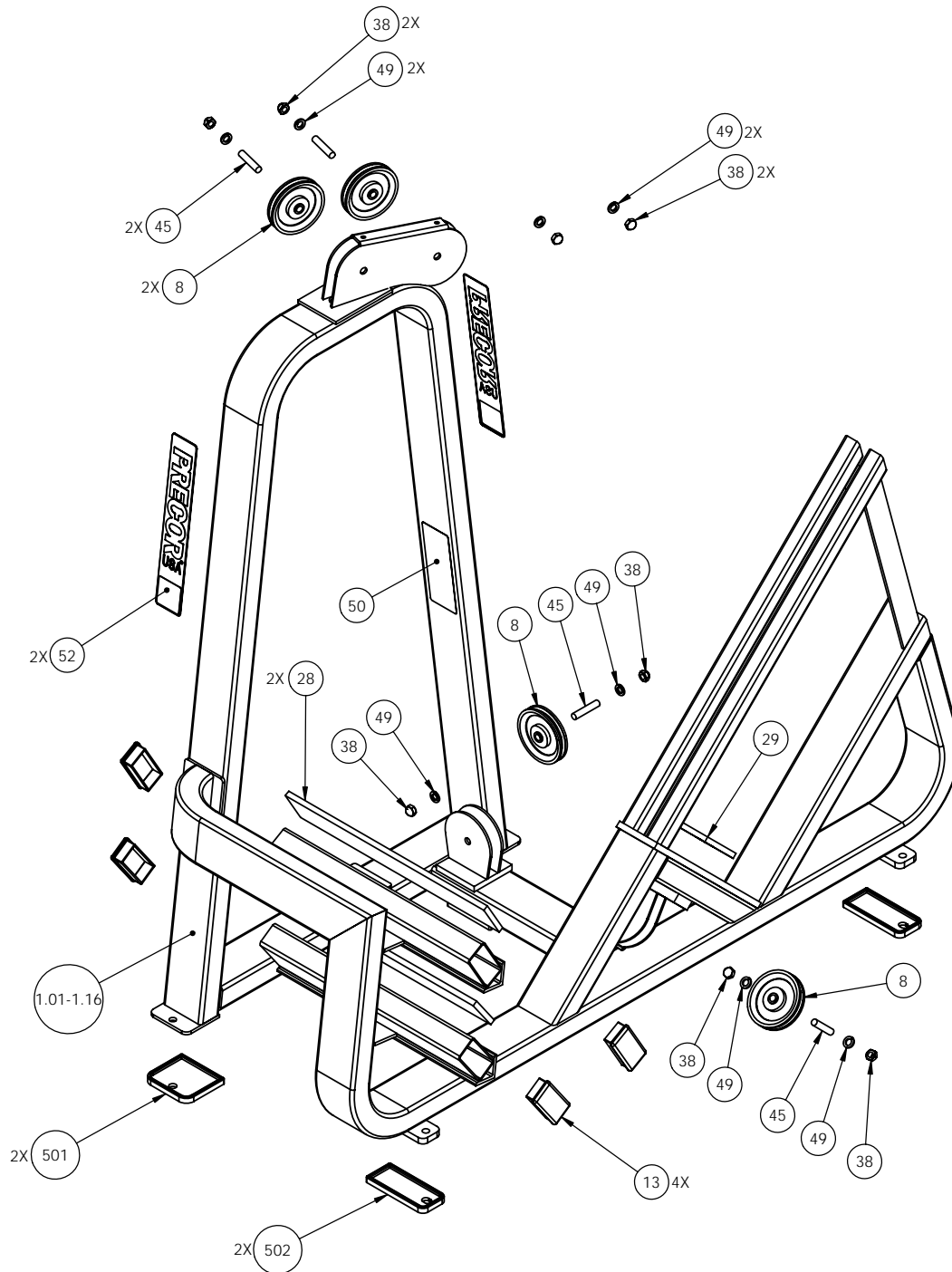
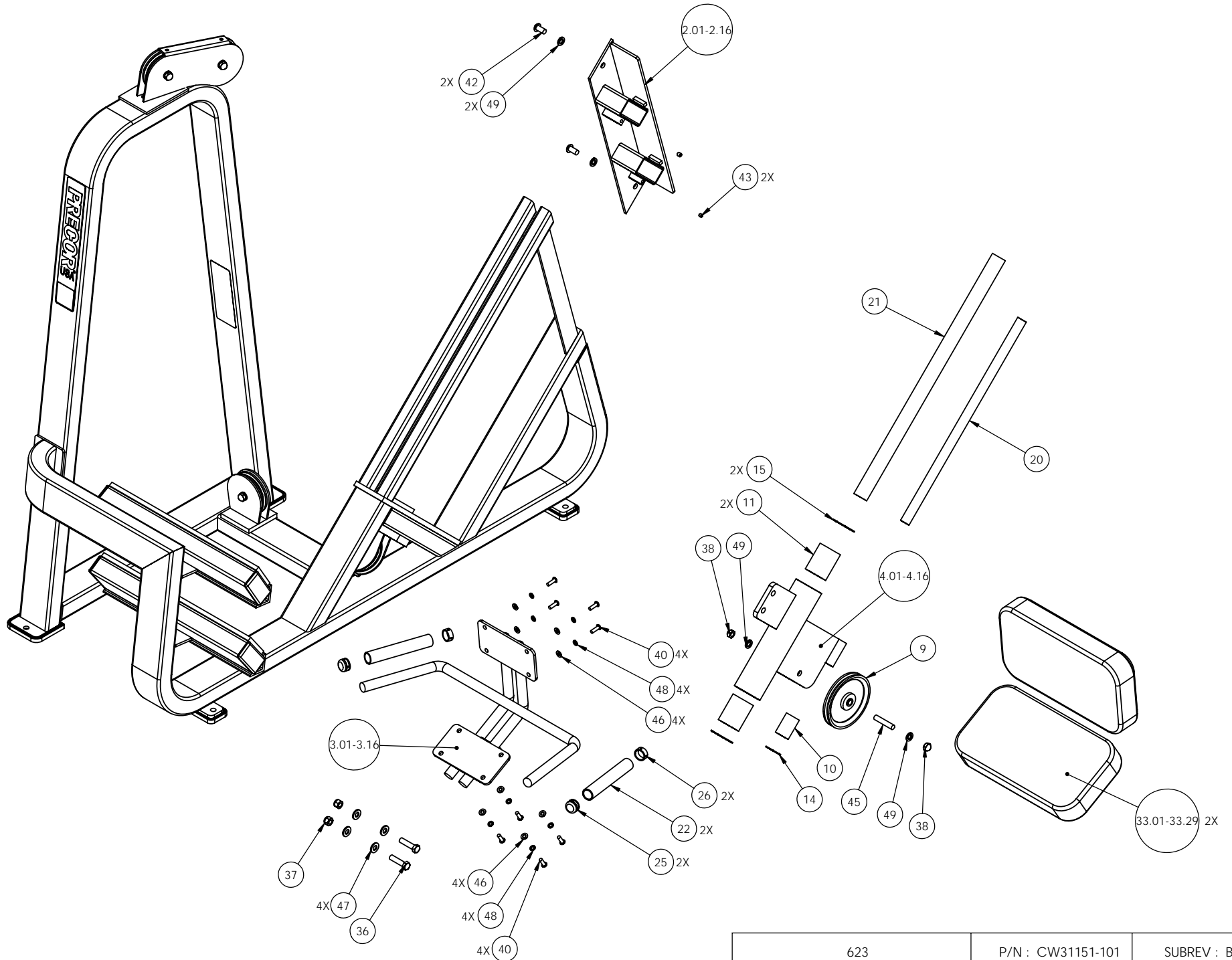


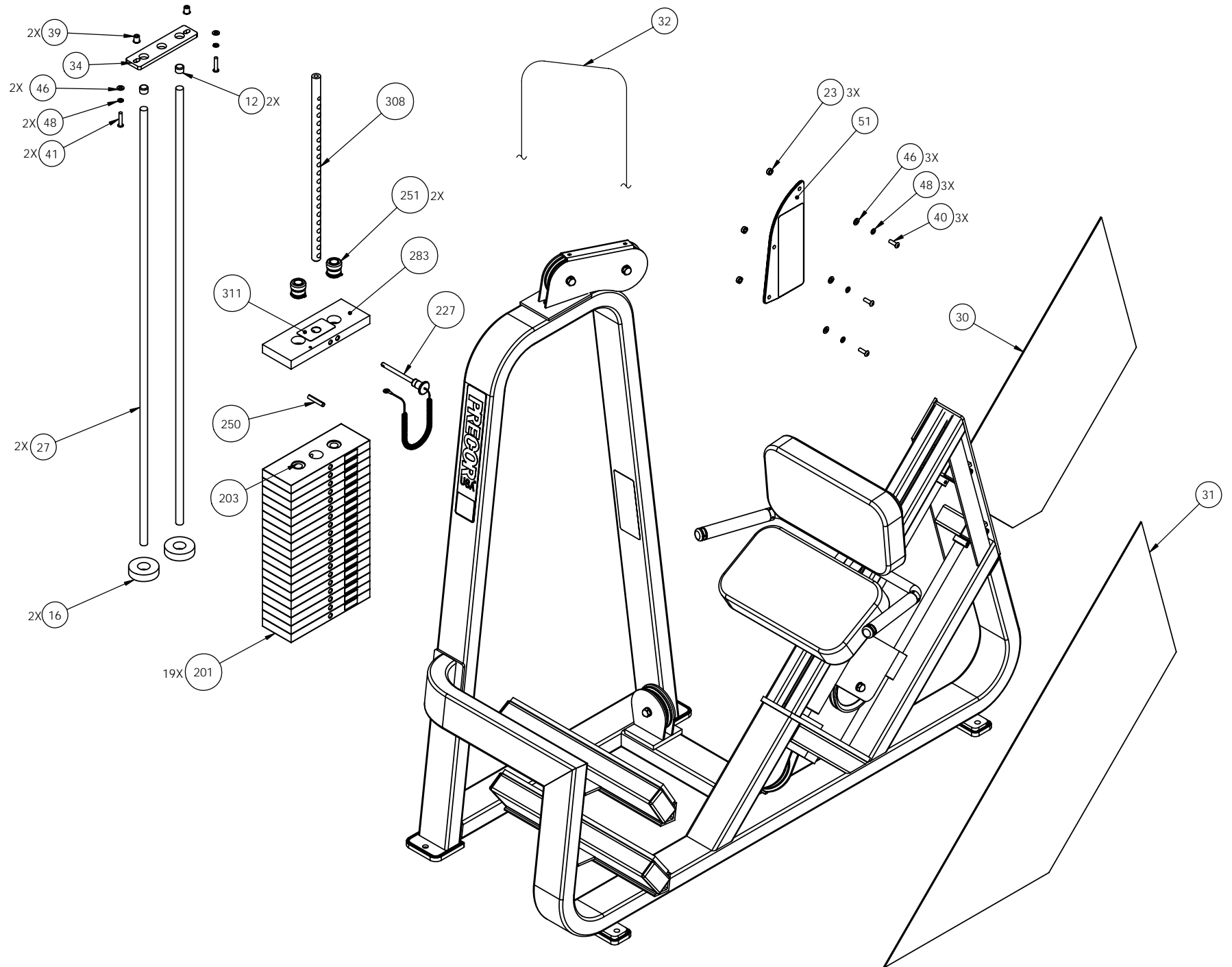
623	P/N : CW31151-101	SUBREV : B
DRAWN BY : CT	DATE : 12.22.05	SHEET 1 OF 4



623	P/N : CW31151-101	SUBREV : B
DRAWN BY : CT	DATE : 12.22.05	SHEET 2 OF 4



623	P/N : CW31151-101	SUBREV : B
DRAWN BY : CT	DATE : 12.22.05	SHEET 3 OF 4



623	P/N : CW31151-101	SUBREV : B
DRAWN BY : CT	DATE : 12.22.05	SHEET 4 OF 4

**623 Angled Seated Bench**

<b>Part Number</b>	<b>Description</b>	<b>Bubble Number</b>
CW623SA1-211	ASSY,FRAME,MAIN,623,SKY WHITE	1.01
CW623SA1-221	ASSY,FRAME,MAIN,623,BLACK	1.02
CW623SA1-231	ASSY,FRAME,MAIN,623,RED	1.03
CW623SA1-241	ASSY,FRAME,MAIN,623,PLAT SPRKLE	1.04
CW623SA1-251	ASSY,FRAME,MAIN,623,SILVER	1.05
CW623SA1-261	ASSY,FRAME,MAIN,623,BLUE	1.06
CW623SA1-271	ASSY,FRAME,MAIN,623,CHARCOAL	1.07
CW623SA1-281	ASSY,FRAME,MAIN,623,CATH GRAY	1.08
CW623SA1-291	ASSY,FRAME,MAIN,623,SILVER VIEN	1.09
CW623SA1-301	ASSY,FRAME,MAIN,623,CUSTOM	1.1
CW623SA1-311	ASSY,FRAME,MAIN,623,STONE HG	1.11
CW623SA1-321	ASSY,FRAME,MAIN,623,TITANIUM HG	1.12
CW623SA1-331	ASSY,FRAME,MAIN,623,WHITE GLOSS	1.13
CW623SA1-341	ASSY,FRAME,MAIN,623,BLACK ONYX	1.14
CW623SA1-351	ASSY,FRAME,MAIN,623,LT. BRONZE	1.15
CW623SA1-361	ASSY,FRAME,MAIN,623,SAPPHIRE BL	1.16
CW623SA2-211	ASSY,GUIDE ROD SUPPORT & COVER, 623	2.01
CW623SA2-221	ASSY,GUIDE ROD SUPPORT & COVER, 623	2.02
CW623SA2-231	ASSY,GUIDE ROD SUPPORT & COVER, 623	2.03
CW623SA2-241	ASSY,GUIDE ROD SUPPORT & COVER, 623	2.04
CW623SA2-251	ASSY,GUIDE ROD SUPPORT & COVER, 623	2.05
CW623SA2-261	ASSY,GUIDE ROD SUPPORT & COVER, 623	2.06
CW623SA2-271	ASSY,GUIDE ROD SUPPORT & COVER, 623	2.07
CW623SA2-281	ASSY,GUIDE ROD SUPPORT & COVER, 623	2.08
CW623SA2-291	ASSY,GUIDE ROD SUPPORT & COVER, 623	2.09
CW623SA2-301	ASSY,GUIDE ROD SUPPORT & COVER, 623	2.1
CW623SA2-311	ASSY,GUIDE ROD SUPPORT & COVER, 623	2.11
CW623SA2-321	ASSY,GUIDE ROD SUPPORT & COVER, 623	2.12
CW623SA2-331	ASSY,GUIDE ROD SUPPORT & COVER, 623	2.13
CW623SA2-341	ASSY,GUIDE ROD SUPPORT & COVER, 623	2.14
CW623SA2-351	ASSY,GUIDE ROD SUPPORT & COVER, 623	2.15
CW623SA2-361	ASSY,GUIDE ROD SUPPORT & COVER, 623	2.16
CW623SA4-211	ASSY,SEAT AND HANDLE,623,SKY WHITE	3.01
CW623SA4-221	ASSY,SEAT AND HANDLE,623,BLACK	3.02
CW623SA4-231	ASSY,SEAT AND HANDLE,623,RED	3.03
CW623SA4-241	ASSY,SEAT AND HANDLE,623,PLAT SPKLE	3.04
CW623SA4-251	ASSY,SEAT AND HANDLE,623,SILVER	3.05
CW623SA4-261	ASSY,SEAT AND HANDLE,623,BLUE	3.06
CW623SA4-271	ASSY,SEAT AND HANDLE,623,CHARCOAL	3.07
CW623SA4-281	ASSY,SEAT AND HANDLE,623,CATH GRY	3.08
CW623SA4-291	ASSY,SEAT AND HANDLE,623,SILVER VIE	3.09
CW623SA4-301	ASSY,SEAT AND HANDLE,623,CUSTOM	3.1
CW623SA4-311	ASSY,SEAT AND HANDLE,623,STONE HG	3.11
CW623SA4-321	ASSY,SEAT AND HANDLE,623,TITANIUM H	3.12
CW623SA4-331	ASSY,SEAT AND HANDLE,623,WHITE GLOS	3.13
CW623SA4-341	ASSY,SEAT AND HANDLE,623,BLACK ONYX	3.14
CW623SA4-351	ASSY,SEAT AND HANDLE,623,LIGHT BRON	3.15
CW623SA4-361	ASSY,SEAT AND HANDLE,623,SAPPHIRE B	3.16
CW623SA5-211	ASSY,CARRIAGE,SKY WHITE	4.01

CW623SA5-221	ASSY,CARRIAGE,BLACK	4.02
CW623SA5-231	ASSY,CARRIAGE,RED	4.03
CW623SA5-241	ASSY,CARRIAGE,PLATINUM SPRKL	4.04
CW623SA5-251	ASSY,CARRIAGE,SILVER	4.05
CW623SA5-261	ASSY,CARRIAGE,BLUE	4.06
CW623SA5-271	ASSY,CARRIAGE,CHARCOAL	4.07
CW623SA5-281	ASSY,CARRIAGE,CATHEDRAL GREY	4.08
CW623SA5-291	ASSY,CARRIAGE,SILVER VIEN	4.09
CW623SA5-301	ASSY,CARRIAGE,CUSTOM	4.1
CW623SA5-311	ASSY,CARRIAGE,STONE HG	4.11
CW623SA5-321	ASSY,CARRIAGE,TITANIUM HG	4.12
CW623SA5-331	ASSY,CARRIAGE,WHITE GLOSS	4.13
CW623SA5-341	ASSY,CARRIAGE,BLACK ONYX	4.14
CW623SA5-351	ASSY,CARRIAGE,LIGHT BRONZE	4.15
CW623SA5-361	ASSY,CARRIAGE,SAPPHIRE BLUE	4.16
CWAC1009-101	PULLEY, 4 1/2 DIA. X 1/2 ID	8
CWAC1010-101	PULLEY, 6 DIA X 1/2 ID	9
CW12571-101	LINEAR BEARING, CLOSED TYPE, 1.000/	10
CW12571-102	LINEAR BEARING, CLOSED TYPE, 1.500/	11
CW12404-101	CAP, GUIDE ROD,DIA 3/4, BLK	12
CW11311-102	ENDCAP, REC TUBE, 2X4, BLK PLASTIC	13
CWACHN125-006	SNAP RING RETAINER,(SUPER 16)	14
CWACHN238-008	SNAP RING RETAINER,(SUPER 24)	15
CW12402-101	BUMPER, WEIGHT STACK, BLK RUBBER	16
CWPF3505-901	GUIDE ROD,STEEL,OD 1.0 X 23.75, CAS	20
CWPF3506-901	GUIDE ROD,STEEL,OD 1.5 X 28.06, CAS	21
CWGR2607-500	GRIP,RUBBER, 1" DIA, 7-1/2"	22
CWAC1228-901	SPACER, ALU,.328 ID X .625 OD X .25	23
CWAC218-901	HANDLE END CAP W/SET SCREWS, DIA 1"	25
CWAC219-901	HNDL RETAINER RNG, W/SS,1.020" I.D.	26
CWPF1214-711	GUIDE ROD,STEEL,OD 3/4 X 52 5/8, CH	27
CW30014-111	CUT PIECE, CREPE, 7/16 X 3 1/4 X 21	28
CWCPC1034-101	CUT PIECE, CREPE, 7/16 X 3 X 4 1/4,	29
CW30508-101	CUT PIECE, ABS BLACK,1/8 X 16 1/4 X	30
CW30509-101	CUT PIECE, ABS BLACK,1/8 X 16 1/4 X	31
CWCLGG145-750	ASSY, CABLE, 623	32
CWPD1105B-101	PAD,9X17,4HOLES,W/BP,BLACK	33.01
CWPD1105B-102	PAD,9X17,4HOLES,W/BP,RYL BL	33.02
CWPD1105B-103	PAD,9X17,4HOLES,W/BP,DVE GRY	33.03
CWPD1105B-104	PAD,9X17,4HOLES,W/BP,CROCUS	33.04
CWPD1105B-105	PAD,9X17,4HOLES,W/BP,GROTTO	33.05
CWPD1105B-106	PAD,9X17,4HOLES,W/BP,GRAPHITE	33.06
CWPD1105B-107	PAD,9X17,4HOLES,W/BP,RED	33.07
CWPD1105B-108	PAD,9X17,4HOLES,W/BP,CHN GRN	33.08
CWPD1105B-109	PAD,9X17,4HOLES,W/BP,TURQSE	33.09
CWPD1105B-110	PAD,9X17,4HOLES,W/BP,RASP	33.1
CWPD1105B-111	PAD,9X17,4HOLES,W/BP,PLUM	33.11
CWPD1105B-112	PAD,9X17,4HOLES,W/BP,REGIMENT	33.12
CWPD1105B-113	PAD,9X17,4HOLES,W/BP,SPC BLUE	33.13
CWPD1105B-115	PAD,9X17,4HOLES,W/BP,BLK LTHR	33.15
CWPD1105B-116	PAD,9X17,4HOLES,W/BP,NVBL LTH	33.16

CWPD1105B-117	PAD,9X17,4HOLES,W/BP,PUTTY	33.17
CWPD1105B-118	PAD,9X17,4HOLES,W/BP,IMPRL BLUE	33.18
CWPD1105B-119	PAD,9X17,4HOLES,W/BP,YEW GREEN	33.19
CWPD1105B-120	PAD,9X17,4HOLES,W/BP,DUSTY JADE	33.2
CWPD1105B-121	PAD,9X17,4HOLES,W/BP,TERRA COTTA	33.21
CWPD1105B-122	PAD,9X17,4HOLES,W/BP,PAPRIKA	33.22
CWPD1105B-123	PAD,9X17,4HOLES,W/BP,ASH LTHR	33.23
CWPD1105B-124	PAD,9X17,4HOLES,W/BP,CERULEAN LTHR	33.24
CWPD1105B-125	PAD,9X17,4HOLES,W/BP,CHARCOAL LTHR	33.25
CWPD1105B-126	PAD,9X17,4HOLES,W/BP,HUNTER LTHR	33.26
CWPD1105B-127	PAD,9X17,4HOLES,W/BP,MOSS LTHR	33.27
CWPD1105B-128	PAD,9X17,4HOLES,W/BP,SPICE LTHR	33.28
CWPD1105B-129	PAD,9X17,4HOLES,W/BP,TOMATO LTHR	33.29
CWPF1016-731	BAR,,FLAT CR/HR, 3/8 X 2 X 8 1/4, 3	34
CWHCYN050-200	SCREW, HEX HEAD, BLK XYLAN, 1/2-13	36
CWKDYN050-059	LOCKNUT, NYLON INSERT, FULL, UNC, 1	37
CWKADLN050-081	NUT, ACORN, 1/2-13	38
CW12537-109	NUT,INSERT,THIN-NUT,LARGE FLANGE	39
CWTAYN031-100	SCREW, BUTTON HEAD, BLK XYLAN, 5/1	40
CWTAYN031-150	SCREW, BUTTON HEAD, BLK XYLAN,5/16	41
CWTAYN050-100	SCREW, BUTTON HEAD, BLK XYLAN, 1/2	42
CWBFNN050-250	STUD, 1/2-13 X 2 1/2	45
CWWBKN031-007	WASHER, FLAT, TYPE A, SAE, 5/16 ID	46
CWWBKN050-010	WASHER, FLAT, TYPE A, SAE, 1/2 ID X	47
CWWALYN031-008	WASHER, SPLIT, 5/16 ID, BL	48
CWWALYN050-013	WASHER, SPLIT, 1/2 ID, BLK XYLAN	49
CW30010-101	LABEL,WARNING STRENGTH	50
CW30154-101	ASSY, LABEL,INSTRUCTION,623	51
CW31756-101	LABEL, PRECOR USA ICARIAN LINE	52
CW10510-721	ASSY, PLATE, WEIGHT, 10 LBS, WRKL B	201
CWAC1133-101	BUSHING, WEIGHT PLATE, LDPE PLASTIC	203
CW30172-751	ASSY, 4.00 IN WEIGHT STACK PIN AND	227
CWLDNN038-200	PIN, ROLL, DIA 3/8 X 2	250
CW30184-901	ASSY,BARREL,TOP PLATE,ALUMINUM	251
CW10550-722	PLATE, WEIGHT, MED TOP (MTP-S), 10	283
CW30132-711	SELECTOR STEM, 20 PLATE,0 .875 DIA,	308
CW30011-101	LABEL,WARNING WEIGHT STACK	311
CW12401-106	LABEL, WEIGHT PLATE, 20 LBS/ 8 KG	319
CW12401-110	LABEL, WEIGHT PLATE, 30 LBS/ 13.6 K	323
CW12401-114	LABEL, WEIGHT PLATE, 40 LBS/ 18.2 K	327
CW12401-118	LABEL, WEIGHT PLATE, 50 LBS/ 22.7 K	331
CW12401-120	LABEL, WEIGHT PLATE, 60 LBS/ 27.3 K	333
CW12401-122	LABEL, WEIGHT PLATE, 70 LBS/ 31.8 K	335
CW12401-124	LABEL, WEIGHT PLATE, 80 LBS/ 36.4 K	337
CW12401-126	LABEL, WEIGHT PLATE, 90 LBS/ 40.9 K	339
CW12401-128	LABEL, WEIGHT PLATE, 100 LBS/ 45.5	341
CW12401-129	LABEL, WEIGHT PLATE, 110 LBS/ 50 KG	342
CW12401-130	LABEL, WEIGHT PLATE, 120 LBS/ 54.6	343
CW12401-131	LABEL, WEIGHT PLATE, 130 LBS/ 59.1	344
CW12401-132	LABEL, WEIGHT PLATE, 140 LBS/ 63.6	345
CW12401-133	LABEL, WEIGHT PLATE, 150 LBS/ 68.2	346

CW12401-134	LABEL, WEIGHT PLATE, 160 LBS/ 72.7	347
CW12401-135	LABEL, WEIGHT PLATE, 170 LBS/ 77.3	348
CW12401-136	LABEL, WEIGHT PLATE, 180 LBS/ 81.8	349
CW12401-137	LABEL, WEIGHT PLATE, 190 LBS/ 86.4	350
CW12401-138	LABEL, WEIGHT PLATE, 200 LBS/ 90.9	351
CW12401-140	LABEL, WEIGHT PLATE, 220 LBS/ 100 K	353
CW12401-142	LABEL, WEIGHT PLATE, 240 LBS/ 109.1	355
CW12401-144	LABEL, WEIGHT PLATE, 260 LBS/ 118.2	357
CW12401-145	LABEL, WEIGHT PLATE, 280 LBS/ 127.3	358
CW12401-146	LABEL, WEIGHT PLATE, 300 LBS/ 136.4	359
CW12401-147	LABEL, WEIGHT PLATE, 320 LBS/ 145.5	360
CW12401-148	LABEL, WEIGHT PLATE, 340 LBS/ 154.5	361
CW12401-149	LABEL, WEIGHT PLATE, 360 LBS/ 163.6	362
CW12401-150	LABEL, WEIGHT PLATE, 380 LBS/ 172.7	363
CW12401-151	LABEL, WEIGHT PLATE, 400 LBS/ 181.8	364
CW12537-109	NUT,INSERT,THIN-NUT,LARGE FLANGE	400
CW30126-101	LABEL,VINYL, PRECOR, 3.25 X 18.0	401
CWKAYN031-025	LOCKNUT, NYLON INSERT, HALF, UNC,	402
CWPF2307-721	BAR, FLAT 3/16 X 1 X (23 3/4), 4 BE	403
CWPF3143-211	SHROUD,SHEET,STEEL,3/32 THICK,4 BEN	404.01
CWPF3143-221	SHROUD,SHEET,STEEL,3/32 THICK,4 BEN	404.02
CWPF3143-231	SHROUD,SHEET,STEEL,3/32 THICK,4 BEN	404.03
CWPF3143-241	SHROUD,SHEET,STEEL,3/32 THICK,4 BEN	404.04
CWPF3143-251	SHROUD,SHEET,STEEL,3/32 THICK,4 BEN	404.05
CWPF3143-261	SHROUD,SHEET,STEEL,3/32 THICK,4 BEN	404.06
CWPF3143-271	SHROUD,SHEET,STEEL,3/32 THICK,4 BEN	404.07
CWPF3143-281	SHROUD,SHEET,STEEL,3/32 THICK,4 BEN	404.08
CWPF3143-291	SHROUD,SHEET,STEEL,3/32 THICK,4 BEN	404.09
CWPF3143-301	SHROUD,SHEET,STEEL,3/32 THICK,4 BEN	404.1
CWPF3143-311	SHROUD,SHEET,STEEL,3/32 THICK,4 BEN	404.11
CWPF3143-321	SHROUD,SHEET,STEEL,3/32 THICK,4 BEN	404.12
CWPF3143-331	SHROUD,SHEET,STEEL,3/32 THICK,4 BEN	404.13
CWPF3143-341	SHROUD,SHEET,STEEL,3/32 THICK,4 BEN	404.14
CWPF3143-351	SHROUD,SHEET,STEEL,3/32 THICK,4 BEN	404.15
CWPF3143-361	SHROUD,SHEET,STEEL,3/32 THICK,4 BEN	404.16
CWPF3143-711	SHROUD,SHEET,STEEL,3/32 THICK,4 BEN	404.17
CWPF3144-721	SHROUD BRKT,PLATE,STEEL,1/8 THICK,1	405
CWTAYN031-100	SCREW, BUTTON HEAD, BLK XYLAN, 5/1	406
CWWALYN031-008	WASHER, SPLIT, 5/16 ID, BL	407
CWWBKN031-007	WASHER, FLAT, TYPE A, SAE, 5/16 ID	408
CWAC1177-101	FLOOR PROTECTOR, RUBBER, 4.563 X 4.	501
CWAC1178-101	FLOOR PROTECTOR, RUBBER, 2.563 X 6.	502